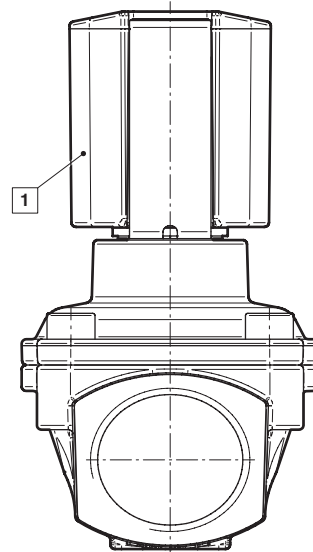
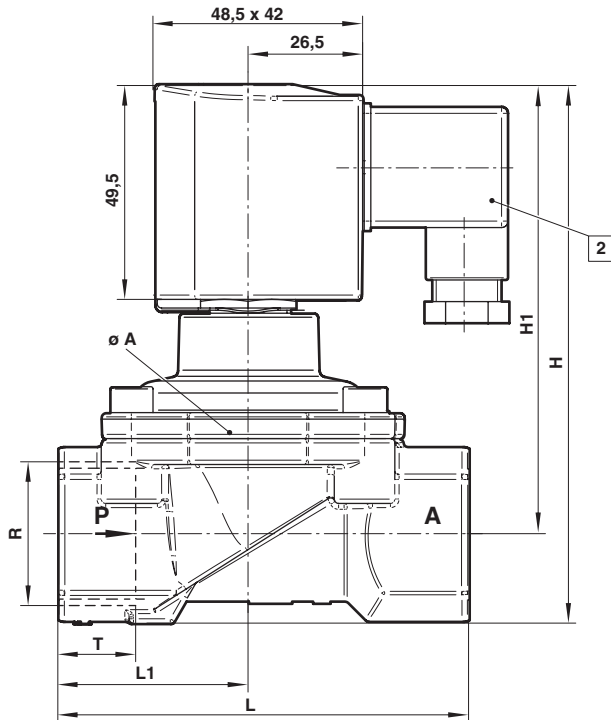


Dimensions

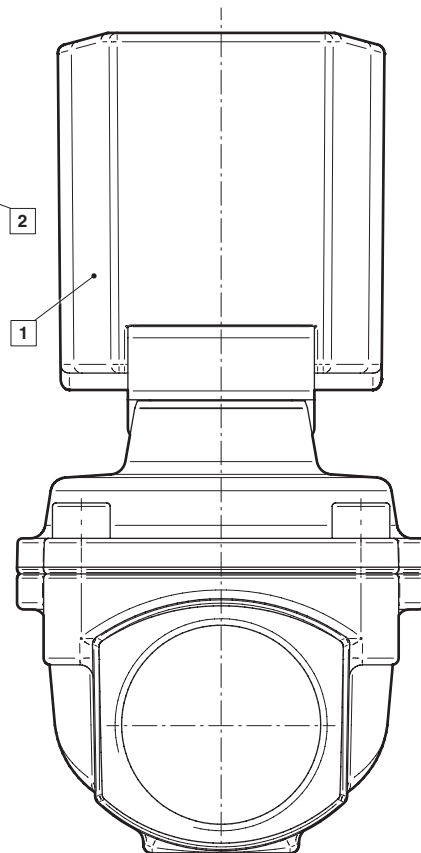
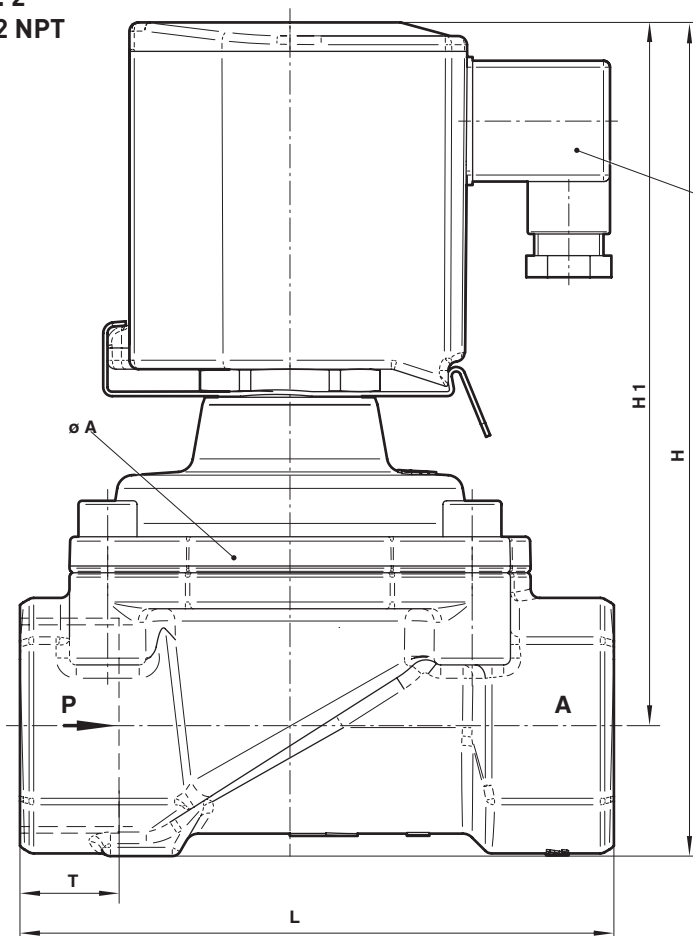
G1/4 ... 1

1/4 ... 1 NPT



G1 1/4 ... 2

1 1/4 ... 2 NPT



- 1 Solenoid rotatable 360°
- 2 Socket turnable 4 x 90°
(Socket included)

Dimensions
**G1/4 ... 2
1/4 ... 2 NPT**

Port size R	ø A	H	H1	L	L1	T	Model
G1/4	44	104	92,5	60	27,5	12	8259000.915x.xxxxx
1/4 NPT	44	104	92,5	60	27,5	10	8449000.915x.xxxxx
G3/8	44	104	92,5	60	27,5	12	8259100.915x.xxxxx
3/8 NPT	44	104	92,5	60	27,5	10,5	8449100.915x.xxxxx
G1/2	44	108	94,5	67	31	14	8259200.915x.xxxxx
1/2 NPT	44	108	94,5	67	31	13,5	8449200.915x.xxxxx
G3/4	50	115	99	80	36,5	16	8259300.915x.xxxxx
3/4 NPT	50	115	99	80	36,5	14	8449300.915x.xxxxx
G1	62	124	103,5	95	44	18	8259400.915x.xxxxx
1 NPT	62	124	103,5	95	44	17	8449400.915x.xxxxx
G 1 1/4	92	186	157	132	60	20	8259500.940x.xxxxx
1 1/4 NPT	92	186	157	132	60	17	8449500.940x.xxxxx
G1 1/2	92	186	157	132	60	22	8259600.940x.xxxxx
1 1/2 NPT	92	186	157	132	60	17	8449600.940x.xxxxx
G2	109	201,5	167	160	74	24	8259700.940x.xxxxx
2 NPT	109	201,5	167	160	74	17,5	8449700.940x.xxxxx

Note to Pressure Equipment Directive (PED):

The valves of this series, including the connection size DN 25 (G 1), are according to Art. 3 § 3 of the Pressure Equipment Directive (PED) 97/23/EG. This means interpretation and production are in accordance to engineers practice wellknown in the member countries.

The CE-sign at the valve refers not to the PED. Thus the declaration of conformity is not longer applicable for this directive.

For valves > DN 25 (G 1) Art. 3 § (1) No.1.4 applies.

The basic requirements of the Enclosure I of the PED must be fulfilled. The CE-sign at the valve includes the PED. A certificate of conformity of this directive will be available on request.

Note to Electromagnetic Compatibility Guideline (EEC):

The valves shall be provided with an electrical circuit which ensures the limits of the harmonised standards EN 61000-6-3 and EN 61000-6-1 are observed, and hence the requirements of the Electromagnetic Compatibility Guideline (2004/108/EG) satisfield.